

VAL-SQ SI 40-2S-120

Order No.: 2800005

<http://eshop.phoenixcontact.de/phoenix/treeViewClick.do?UID=2800005>

Surge protection device for 2-phase, 120 V applications with separate Gnd-N. Provides 40 kA protection per phase. Compact, NEMA 4X enclosure installs in limited space.

Commercial data	
EAN	4046356347488
Pack	1 pcs.
Customs tariff	85363030
Weight/Piece	0.7207 KG

<http://www.download.phoenixcontact.com>
Please note that the data given here has been taken from the online catalog. For comprehensive information and data, please refer to the user documentation. The General Terms and Conditions of Use apply to Internet downloads.

Product description

40 kA Type 2 surge protective device for systems up to 120 V with separate Gnd-N

Technical data

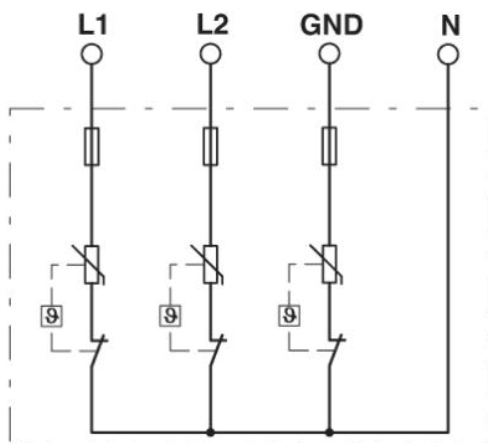
Standards

Housing material	Non-metallic
Degree of protection	IP66 / NEMA 4X
Mounting type	1/2 inch NPT male
Design	MOV
Ambient temperature (operation)	-40 °C ... 70 °C
Altitude	3658 m
Message surge protection faulty	Optical
Width	76.20 mm
Height	69.30 mm

Length	91.40 mm
Protective circuit	
IEC category	I
Arrester rated voltage U_c	120 V
Connection, protective circuit	
Type of connection	#10 AWG/5.26 mm ² wires (24 in./61 cm long)
Environmental conditions	
Standards/regulations	UL 1449 2 nd edition, February 2007
	UL 1283
	IEEE C62.41
	IEEE C62.45
NEMA / UL data	
NEMA / UL data	type 2 Type 2
short circuit current rating (SCCR)	25 kA
UL type	type 2
Voltage (N-G)	800 V
Voltage (L-N)	500 V
Maximum Surge Current per Phase	40 kA

Drawings

Circuit diagram



VAL-SQ SI 40-2S-120 Order No.: 2800005

<http://eshop.phoenixcontact.de/phoenix/treeViewClick.do?UID=2800005>

Address

PHOENIX CONTACT GmbH & Co. KG
Flachmarktstr. 8
32825 Blomberg, Germany
Phone +49 5235 3 00
Fax +49 5235 3 41200
<http://www.phoenixcontact.com>



© 2009 Phoenix Contact
Technical modifications reserved;